

73000024	DATA SHEET	
Valid from: 18.09.2020	EPIC® POWER LS1 D6 SHORT 3+PE+4	

Description

- Circular connectors for servomotors and power supply
- High power at smallest installation space
- Optimal solution for electric motors
- EMC-optimised design
- Safety use in field environment by high protection class



General Characteristics

Series	POWER LS 1
Version	Short, Cable connector for female contacts
Pin configuration	3+PE+4
Rated voltage (V)	630 V (2 mm Contacts) 250 V (1 mm Contacts)
Rated impulse voltage	6 kV (2 mm Contacts) 4 kV (1 mm Contacts)
Rated current (A)	26 A/3+PE+4 (2 mm Contacts) 7 A (1mm Contacts)
Contact resistance	< 4 mOhm
Contacts	Gold plated brass
Number of contacts	3+PE+4
Termination methods	Crimp termination: 0.5 - 2.5 mm ² (2 mm contacts) Crimp termination: 0.14 - 1.0 mm ² (1 mm contacts)
Protection	IP 68
Cycle of mechanical operation	500
Temperature range	-25°C to +125°C
Degree of soiling	3

Product Variations

Package unit = 20 pcs: Contacts must be ordered separately

Article- Number	Article	Contacts included	Cable clamping range mm	Pin configuration
Type LS1 D6 short, Cable connector, 8-pin for female contacts				
73000024	LS1 D6	8	8,5 - 11	3+PE+4
73000026	LS1 D6		8,5 - 11	3+PE+4
73000025	LS1 D6	8	10,5 - 15,5	3+PE+4
73000027	LS1 D6		10,5 - 15,5	3+PE+4
76124100	LS1 D6	8	7,5 - 15,5	3+PE+4
76124610	LS1 D6		7,5 - 15,5	3+PE+4

Creator: STKU3/PDP Released: IVSE1/PDP	Document: DB73000024EN Version: 05	Page 1 of 3
---	---------------------------------------	-------------

73000024	DATA SHEET	
Valid from: 18.09.2020	EPIC® POWER LS1 D6 SHORT 3+PE+4	

Materials and Surfaces

Housing	Nickel-plated zinc die-casting, nickel-plated brass
Insert	PA
Seal	FPM
Contact	Brass
Contact surface	Au

Approvals

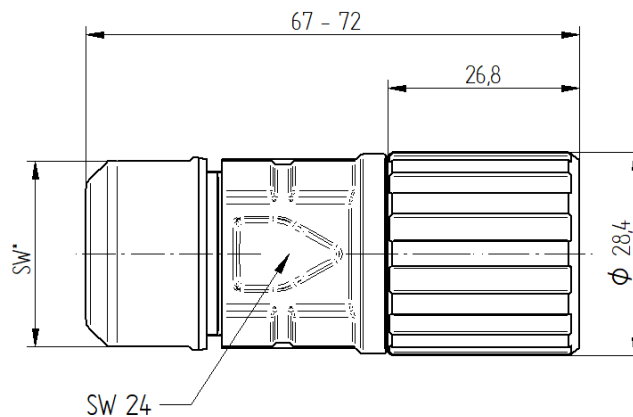
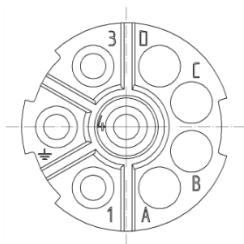
VDE-Approval, VDE-REG.-Nr.	B025
UL-File-Number	E249137

Standard

Product Standard	IEC 61984, UL 2238, CSA 22.2 182.3
------------------	------------------------------------



Technical Drawings



Article number	*Wrench size
73000028	26
73000030	26
73000029	26
73000031	26
76123100	27
76123610	27



Good chemical resistance



Corrosion-resistant



Industrial machinery and plant engineering

Creator: STKU3/PDP Released: IVSE1/PDP	Document: DB73000024EN Version: 05	Page 2 of 3
---	---------------------------------------	-------------

73000024	DATA SHEET	
Valid from: 18.09.2020	EPIC® POWER LS1 D6 SHORT 3+PE+4	



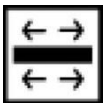
Maximum vibration protectio



Mechanical resistance



Assembly time



Optimum strain relief



Space requirement



Robust



Integrated SKINTOP® cable gland



Waterproof



Wind Energy



Variety of approval certifications

Info

Reduced length for cables which are easy to assemble

Application range

Plant engineering

Servo drives and servo assemblies

Remark

Photographs are not to scale and do not represent detailed images of the respective products.

Creator: STKU3/PDP Released: IVSE1/PDP	Document: DB73000024EN Version: 05	Page 3 of 3
---	---------------------------------------	-------------