

75009697	DATA SHEET	
Valid from: 02.08.2023	EPIC® POWER LS1 KIT F6 3+PE+4	

Description

- Circular connectors for servomotors and power supply
- High power at smallest installation space
- Optimal solution for electric motors
- EMC-optimised design
- Safety use in field environment by high protection class



General Characteristics

Series	POWER LS 1
Version	Cable coupler for male contacts
Pin configuration	3+PE+4
Rated voltage (V)	630 V (2mm Contacts) 250 V (1mm Contacts)
Rated impulse voltage	6 kV (2mm Contacts) 4 kV (1mm Contacts)
Rated current (A)	25 A/3+PE+4 (2mm Contacts) 7 A (1mm Contacts)
Contact resistance	< 4 mOhm
Contacts	Gold plated brass
Number of contacts	3+PE+4
Termination methods	Crimp termination: 0.5 – 2,5 mm ² (2 mm contacts) Crimp termination: 0.14 – 1.0 mm ² (1 mm contacts)
Protection	IP 68 (latched and locked)
Cycle of mechanical operation	500
Temperature range	-25°C to +125°C
Degree of soiling	3

Materials and Surfaces

Housing	Nickel-plated zinc die-casting, nickel-plated brass
Insert	PA
Seal	FPM

Approvals


VDE-Approval, VDE-REG.-Nr.	B025
UL-File-Number	E249137

Standard

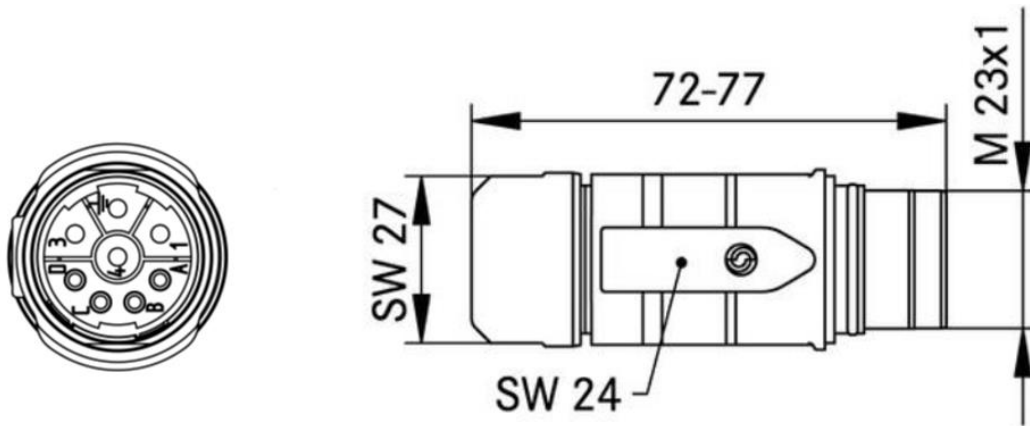
Safety Standard	IEC 61984; UL 2238; CSA 22.2 182.3
-----------------	------------------------------------



Creator: FICE1/PDP Released: IVSE1/PDP	Document: : DB75009697EN Version: 02	Page 1 of 3
-------------------------------------------	-----------------------------------------	-------------

75009697	DATA SHEET	
Valid from: 02.08.2023	EPIC® POWER LS1 KIT F6 3+PE+4	

Technical Drawing



Good chemical resistance



Corrosion-resistant



Industrial machinery and plant engineering



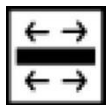
Maximum vibration protection



Mechanical resistance



Assembly time



Optimum strain relief

Creator: FICE1/PDP Released: IVSE1/PDP	Document: : DB75009697EN Version: 02	Page 2 of 3
-------------------------------------------	-----------------------------------------	-------------

75009697	DATA SHEET	
Valid from: 02.08.2023	EPIC® POWER LS1 KIT F6 3+PE+4	



Space requirement



Robust



Integrated SKINTOP® cable gland



Waterproof



Wind Energy



Variety of approval certifications

Application range

Plant engineering

Servo drives and servo assemblies

Remark

Photographs are not to scale and do not represent detailed images of the respective products.

Creator: FICE1/PDP Released: IVSE1/PDP	Document: : DB75009697EN Version: 02	Page 3 of 3
-------------------------------------------	-----------------------------------------	-------------