

75009694	<b>DATA SHEET</b>	
Valid from: 18.09.2020	<b>EPIC® POWER LS1 KIT D6 3+PE+4</b>	

## Description

- Circular connectors for servomotors and power supply
- High power at smallest installation space
- Optimal solution for electric motors
- EMC-optimised design
- Safety use in field environment by high protection class



## General Characteristics

Series	POWER LS 1
Version	Cable connector for female contacts
Pin configuration	3+PE+4
Rated voltage (V)	630 V (2mm Contacts) 250 V (1mm Contacts)
Rated impulse voltage	6 kV (2mm Contacts) 4 kV (1mm Contacts)
Rated current (A)	25 A (2mm Contacts) 7 A (1mm Contacts)
Contact resistance	< 4 mOhm
Contacts	Gold plated brass
Number of contacts	3+PE+4
Termination methods	Crimp termination: 0.5 – 2.5 mm <sup>2</sup> (2 mm contacts) Crimp termination: 0.14 – 1.0 mm <sup>2</sup> (1 mm contacts)
Protection	IP 68 (latched)
Cycle of mechanical operation	500
Temperature range	-25°C to +125°C
Degree of soiling	3

## Materials and Surfaces

Housing	Nickel-plated zinc die-casting, nickel-plated brass
Insert	PA
Seal	FPM
Contact	Brass
Contact surface	Gold plated

## Approvals

VDE-Approval, VDE-REG.-Nr.	B025
UL-File-Number	E249137

## Standard

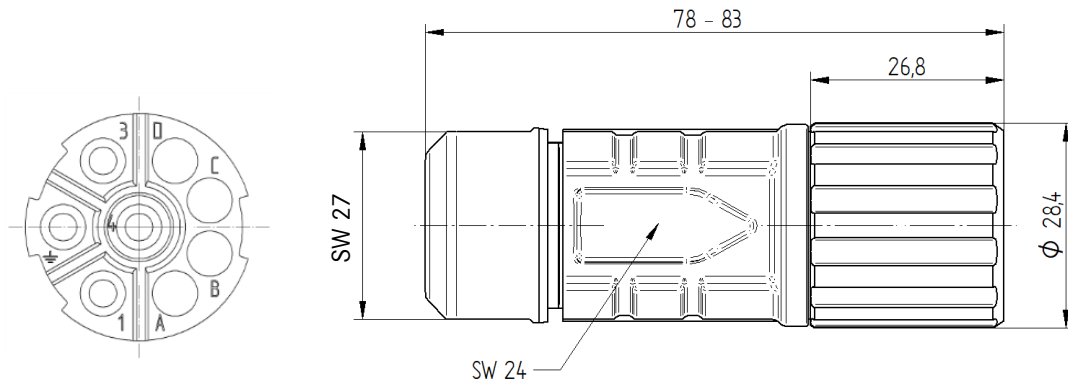
Safety Standard	IEC 61984UL 2238; CSA 22.2 182.3
-----------------	----------------------------------



Creator: STKU3/PDP Released: IVSE1/PDP	Document: DB75009694EN Version: 02	Page 1 of 3
---	---------------------------------------	-------------

75009694	<b>DATA SHEET</b>	
Valid from: 18.09.2020	<b>EPIC® POWER LS1 KIT D6 3+PE+4</b>	

### Technical Drawing



Good chemical resistance



Corrosion-resistant



Industrial machinery and plant engineering



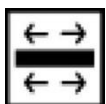
Maximum vibration protection



Mechanical resistance



Assembly time



Optimum strain relief



Space requirement

Creator: STKU3/PDP Released: IVSE1/PDP	Document: DB75009694EN Version: 02	Page 2 of 3
---	---------------------------------------	-------------

75009694	<b>DATA SHEET</b>	
Valid from: 18.09.2020	<b>EPIC® POWER LS1 KIT D6 3+PE+4</b>	



Robust



Integrated SKINTOP® cable gland



Waterproof



Wind Energy



Variety of approval certifications

#### Application range

Plant engineering

Servo drives and servo assemblies

#### Remark

Photographs are not to scale and do not represent detailed images of the respective products.

Creator: STKU3/PDP Released: IVSE1/PDP	Document: DB75009694EN Version: 02	Page 3 of 3
---	---------------------------------------	-------------