


21700616	DATA SHEET	
Valid from: 17.09.2018	ED-IE-AX-6_A-B-20-FD-FC	

Product description

- Field mountable Industrial Ethernet connector with colour coding acc. to T568B
- Suitable for industrial applications, structured cabling for office building applications, data centers and home networks
- Especially designed for cables with a core diameter of AWG27-24/7 and high flexible cables with a core diameter of AWG26/19
- Suitable high flexible cable: 2170488 ETHERLINE® FD P Cat.6 4x2xAWG26/19



General properties

Ambient temperature	-40 to +85 °C
Protection degree	IP 20
Outer diameter, cable	5.0 – 9.0 mm
Outer diameter, wire	0.85 – 1.1 mm
Termination cross section, stranded, 7 wires	AWG27/7 – AWG24/7
Termination cross section, stranded, 19 wires	AWG26/19
Termination cross section, solid	AWG26/1 – AWG24/1

Mechanical properties

Insertion force	≤ 30 N
Mating cycles	≥ 750
Cable extraction force (assembled connector)	≥ 50 N

Electrical properties

Contact resistance	≤ 20 mΩ
Insulation resistance	≥ 500 MΩ
Proof voltage, contact-contact	≥ 1000 V, DC
Proof voltage, contact-shield	≥ 1500 V, DC
Current carrying capacity at 50 °C	1 A
Suitable for Power over Ethernet+ acc. to IEEE 802.3at:2009	yes


Transmission properties

Suitable for 10 Gigabit Ethernet acc. to IEEE 802.3an	yes
Category 6 _A	ISO/IEC 11801; DIN EN 50173-1
Class E _A	ISO/IEC 11801; DIN EN 50173-1
Category 6A	ANSI/EIA-568-C.2

Materials

Connector housing, base material	die-cast zinc
Connector housing, surface	Ni
Contacts, surface	Au

Creator: MANA2/PDP Released: IVSE1/PDP	Document: DB21700616EN Version: 02	Page 1 of 2
---	---------------------------------------	-------------

21700616	DATA SHEET	
Valid from: 17.09.2018	ED-IE-AX-6_A-B-20-FD-FC	

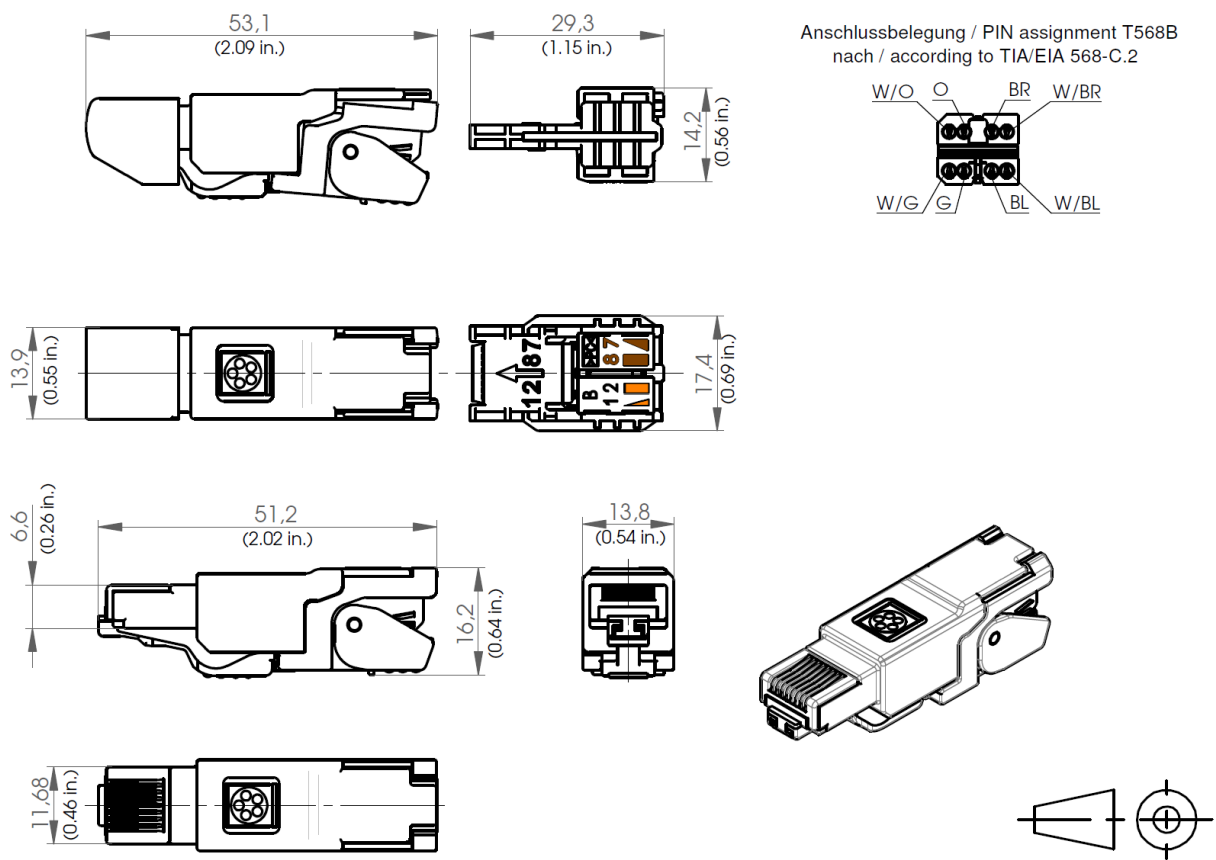
Standards

Product standard	RJ45 connector acc. to IEC 60603-7-51
Generic cable systems	ANSI/TIA/EIA-568-C.2
	ISO/IEC 11801
	DIN EN 50173-1

Approvals

UL listed, E-File	E353543
-------------------	---------

Drawings



Application range

Automation, industrial machinery and plant engineering

Note

Photographs are not true to scale and do not represent detailed images of the respective products.

Creator: MANA2/PDP Released: IVSE1/PDP	Document: DB21700616EN Version: 02	Page 2 of 2
---	---------------------------------------	-------------