



Product image may not represent the final configuration stated above.

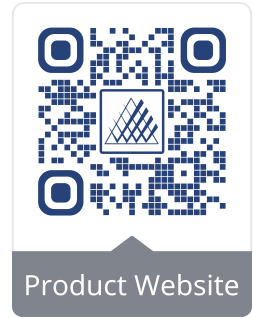


Product Specification

 [WPT Holophane Website](#)

Holophane IP65 Wallpackette III luminaire with die-cast aluminium and prismatic refractor. This specific SKU includes:

- LED light engine producing c.3,000 lm with a nominal 4000°K colour temperature
- Wide spacing polycarbonate prismatic lens
- Black (RAL9005)
- Complete with factory fitted photocell
- PG (Pipe Gauge) cable entry



Performance

Drive Current from Driver:	800mA
Power:	30W
Fitting Current:	0.13A
Fitting Inrush:	35A - 0.355ms
Number of Drivers:	1
1x Driver 1 Inrush:	35A - 0.355ms
Max Drivers per 16A Type B MCB:	10
Max Fittings per 16A Type B MCB:	10
Total Number of LEDs:	72
Minimum Dim Level:	1%



5Kg



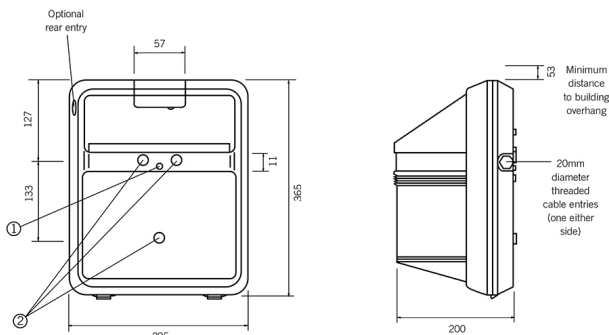
42 0030 0000 100*



[Installation Guide](#)

*Generic UMSUG code based on product wattage and some or all of product family being included within Elexon data base.

Dimensions



- ① 19mm diameter knockout for supply cable, rear entry
② 3 fixing positions screws, plugs and washers supplied

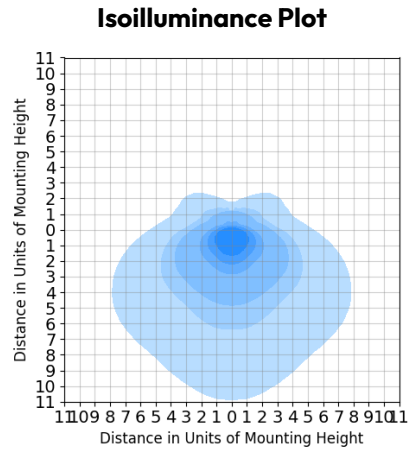
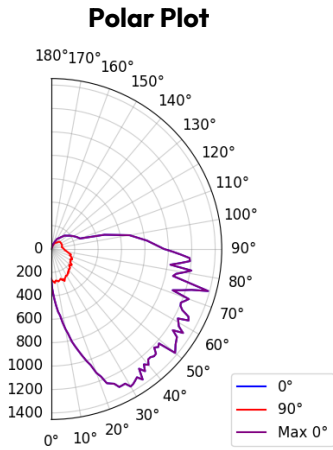
CIBSE TM66 - CEAM Rating

2.1*

2.5 to 4.0	1.5 to 2.5	0.5 to 1.5	0 to 0.5
Excellent circularity	Definite/substantial progress to circularity	Some circular economy functionality	Very poor circular economy performance

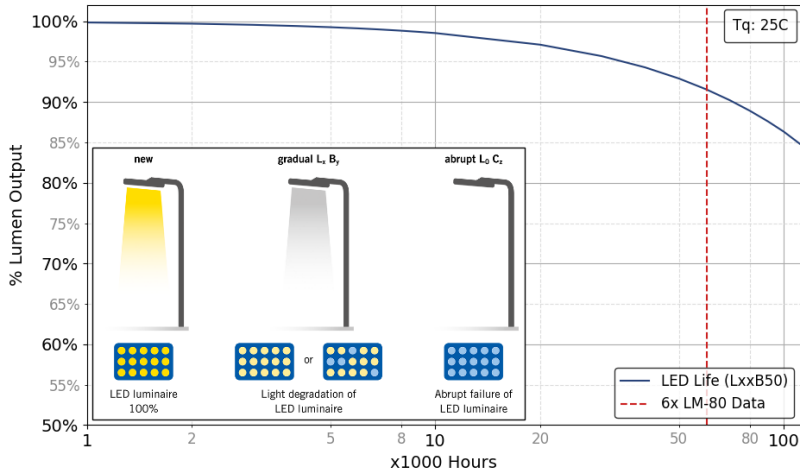
*Preliminary Rating

Photometry [↓ IES File](#)



Lumens:	3,613
CCT:	4000K
CRI:	80
IES File:	WPT.LM034

LLMF Graph



For reference purposes, the graph extrapolates beyond the recommend 6x LM-80 data in TM-21, which our calculations are based on.

Colours

Selected Colour

 **C7** Textured Black (RAL9005)

Custom Colour Available


 **RAL****** Customer specified colour

*Choosing a custom colour may increase the cost and lead time.

Standard Colours Available

 **C1** Smooth White (RAL9016)

 **C4** Smooth Graphite (RAL7011)

 **C6** Smooth Grey (RAL7035)

 **C7** Textured Black (RAL9005)

 **C9** Metallic Silver (RAL9006)

Lumen data is considered to be representative of the configuration shown, and may vary, with a tolerance on flux of +/- 7% (typical of LED manufacturer's data) and luminaire power of +/- 5%.

The specifications of the Holophane luminaires represents typical values. All descriptions, illustrations, drawings and specifications in the Holophane catalogue, Datasheets and website represent only general particulars of the goods to which they apply and shall not form part of any contract. The company reserves the right to change specifications at its discretion without prior notification or public announcement.