

Ceiling mounted occupancy detectors - 1-channel

PD4-M-1C-C



white mat, similar to RAL9010 , Part No. 92586 white mat, similar to RAL9010 , Part No. 92587

Product Information

- Occupancy detector designed for corridors
- One potential-free (dry) switching contact
- Version as master device
- Detection area can be extended with slave devices
- Manual switching via push-button possible
- Additional functions can be set up using the optional remote control.
- Factory settings 10 min and 500 lux
- There are markings to ensure correct alignment during installation
- **Typical application:**
monitoring of long corridors

Technical Data

Voltage:	110 - 240 V AC 50 / 60 Hz
Dimensions:	FC= Ø 97 x 103 mm SM= Ø 101 x 76 mm
Power consumption:	approx. 0.5 W
Detection area:	vertical 360°
Range:	max. 40 m x 5 m across max. 20 m x 3 m towards
Monitored area	250 m ² / 2.5 m mounting height

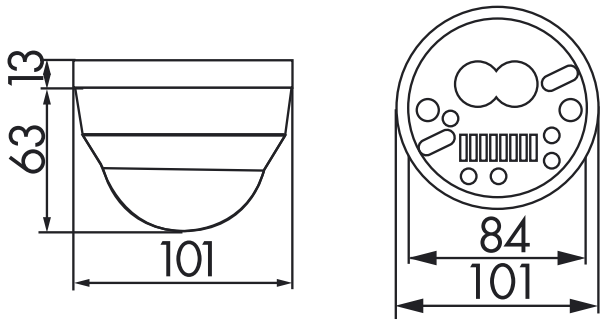
(tangential movement):**Mounting height** 2.4 m / 2.6 m / 2.5 m
min./max./recommended:**Degree / class of protection:** FC= IP20 / Class II
SM= IP54 / Class II**Ambient temperature:** -25 °C to +50 °C**Housing:** Polycarbonate, UV-resistant**Channel 1 (lighting control, potential-free (dry))****Switching power:** 2300 W, cos ϕ = 1
1150 VA, cos ϕ = 0.5
300 W LED
max. inrush current I_p (20 ms) = 165 A
max. inrush current I_p (200 μ s) = 800 A**Type of contact:** 1x μ -contact, dry NO contact with tungsten pre-make contact**Follow-up time:** 15 sec - 30 min, Pulse**Switch-on threshold:** 10 - 2000 Lux
Mixed light measuring

Description

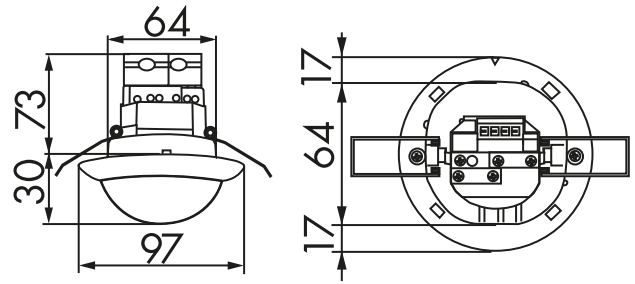
Description	Colour	Part number	EAN number
PD4-M-1C-C-FC	white mat, similar to RAL9010	92586	4007529925865
PD4-M-1C-C-SM	white mat, similar to RAL9010	92587	4007529925872

Accessory

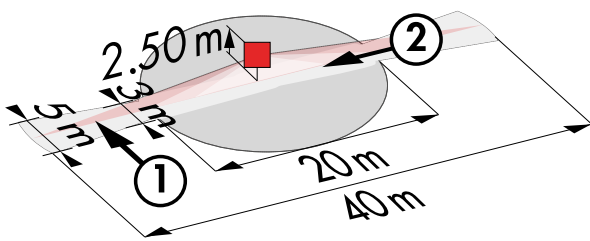
Description	Colour	Part number	EAN number
RC-Arc extinction kit	white	10880	4007529108800
Mini-RC-Arc extinction kit	black	10882	4007529108824
BLE-IR-Adapter	black	93067	4007529930678
IR-Adapter for Smartphones	black	92726	4007529927265
IR-PD-1C	-	92520	4007529925209
IR-PD-1C-E	-	92077	4007529920778
IR-PD-Mini	-	92159	4007529921591
Wire basket BSK (Ø 200 x 90 mm)	white	92199	4007529921997
Square design frame PD4-FC	pure white mat, similar to RAL9010	92992	4007529929924



Dimensions 92587

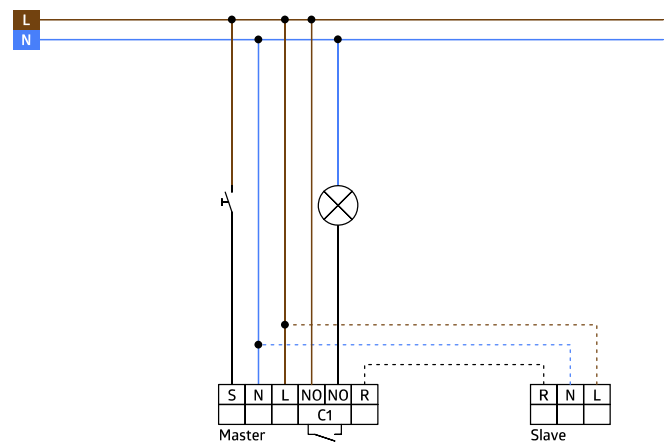


Dimensions 92586



Range diagram

- 1: Walking across
- 2: Walking towards



Wiring diagram