

## SM socket IP54 for PD2- / PD4-SM



white , Part No. 92161

### Product Information

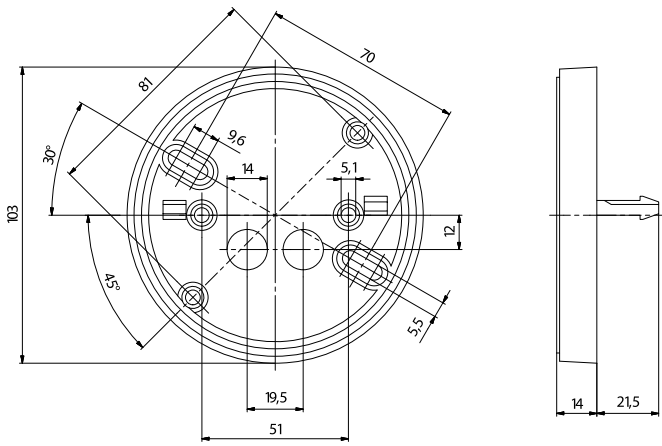
- With this socket it is possible to increase the protection degree of the occupancy detectors PD2 and PD4 from IP20 to IP54.

### Technical Data

<b>Dimensions:</b>	Ø 100 x 15 mm
<b>Degree / class of protection:</b>	IP54
<b>Housing:</b>	Polycarbonate, UV-resistant

### Description

Description	Colour	Part number	EAN number
SM socket IP54 for PD2- / PD4-SM	white	92161	4007529921614



Dimensions 92161

---

© 2020 B.E.G. Brück Electronic GmbH