

Ceiling mounted occupancy detectors - 1-channel

PD2-M-1C



white mat, similar to RAL9010 , Art.-Nr.: 92550 white mat, similar to RAL9010 , Art.-Nr.: 92555 white mat, similar to RAL9010 , Art.-Nr.: 92565

Product Information

- Occupancy detector with one potential-free dry contact
- Version as master device
- One channel for light switching
- Detection area can be extended with slave devices
- Manual switching via push-button possible
- Additional functions can be set up using the optional remote control.
- Factory settings 10 min and 500 lux
- **Typical applications:**
Offices, conference rooms, schools, nursery schools, hospitals

Technical Data

| | |
|---------------------------|---|
| Voltage: | 110 - 240 V AC 50 / 60 Hz |
| Dimensions: | SM= Ø 98 x 47 mm FM= Ø 98 x 65 mm FC= Ø 80 x 85 mm |
| Power consumption: | approx. 0,4 W |
| Detection area: | vertical 360° |
| Range: | max. Ø 10 m across max. Ø 6 m towards max. Ø 4 m seated |

| | |
|---|---|
| Monitored area (tangential movement): | 78 m ² / 2,5 m mounting height |
| Mounting height min./max./recommended: | 2 m / 5 m / 2,5 m |
| Degree / class of protection: | SM= IP20 / Class II FM= IP20 / Class II FC= IP20 / Class II |
| Ambient temperature: | -25 °C to +50 °C |
| Housing: | Polycarbonate, UV-resistant |
| Channel 1 (lighting control, potential-free (dry)) | |
| Switching power: | 2300 W, cos φ = 1 1150 VA, cos φ = 0,5 300 W LED max. inrush current I _p (20 ms) = 165 A max. inrush current I _p (200 μs) = 800 A |
| Type of contact: | 1x μ-contact, dry NO contact with tungsten pre-make contact |
| Follow-up time: | 15 sec - 30 min, Pulse |
| Switch-on threshold: | 10 - 2000 Lux Mixed light measuring |

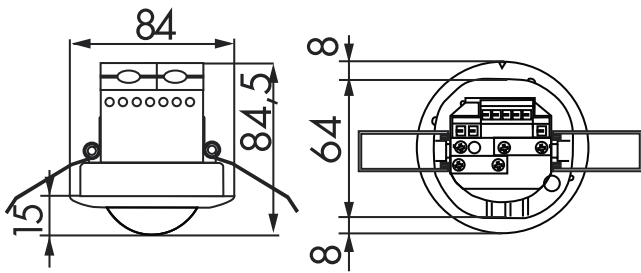
Description

| Description | Colour | Part number | EAN number |
|-------------|-------------------------------|-------------|---------------|
| PD2-M-1C-SM | white mat, similar to RAL9010 | 92550 | 4007529925506 |
| PD2-M-1C-FM | white mat, similar to RAL9010 | 92555 | 4007529925551 |
| PD2-M-1C-FC | white mat, similar to RAL9010 | 92565 | 4007529925650 |

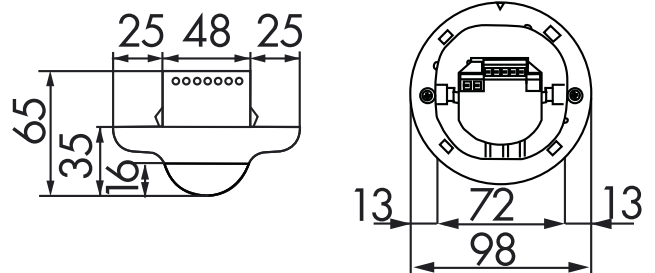
Accessory

| Description | Colour | Part number | EAN number |
|---------------------------------|--------|-------------|---------------|
| BLE-IR-Adapter | black | 93067 | 4007529930678 |
| IR-Adapter for Smartphones | black | 92726 | 4007529927265 |
| IR-PD-1C | - | 92520 | 4007529925209 |
| IR-PD-1C-E | - | 92077 | 4007529920778 |
| IR-PD-Mini | - | 92159 | 4007529921591 |
| Wire basket BSK (Ø 200 x 90 mm) | white | 92199 | 4007529921997 |
| RC-Arc extinction kit | white | 10880 | 4007529108800 |

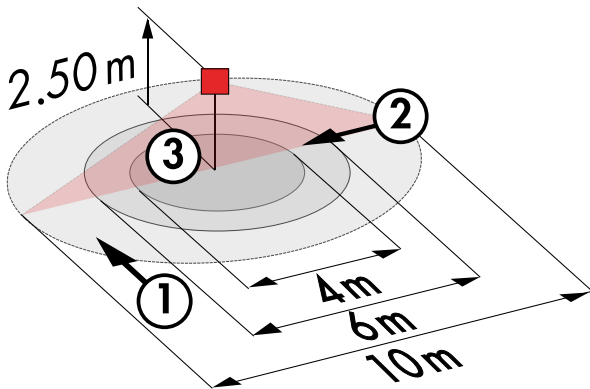
| Description | Colour | Part number | EAN number |
|----------------------------------|--------|-------------|---------------|
| Mini-RC-Arc extinction kit | black | 10882 | 4007529108824 |
| SM socket IP54 for PD2- / PD4-SM | white | 92161 | 4007529921614 |



Dimensions 92565

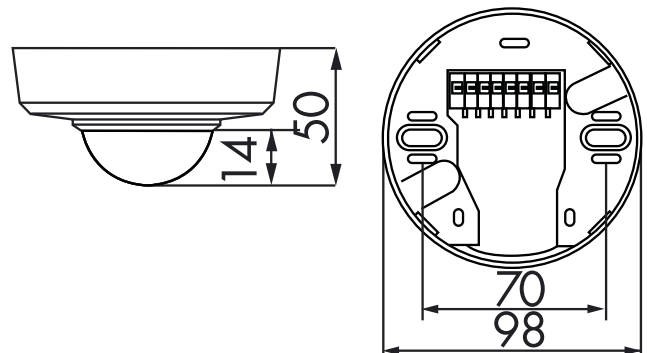


Dimensions 92555

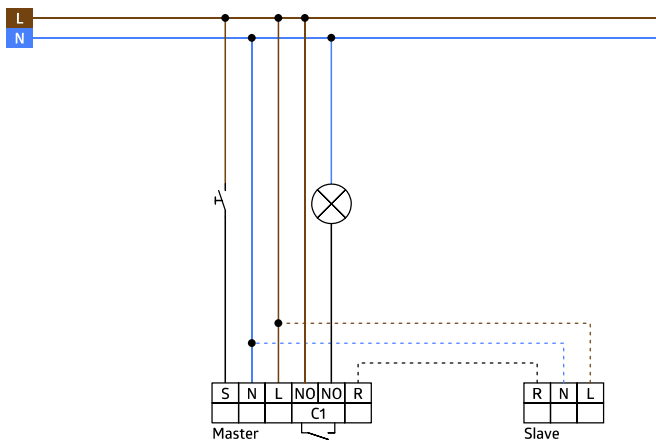


Range diagram

- 1: Walking across
- 2: Walking towards
- 3: Seated activity



Dimensions 92550



Wiring diagram

© 2020 B.E.G. Brück Electronic GmbH